

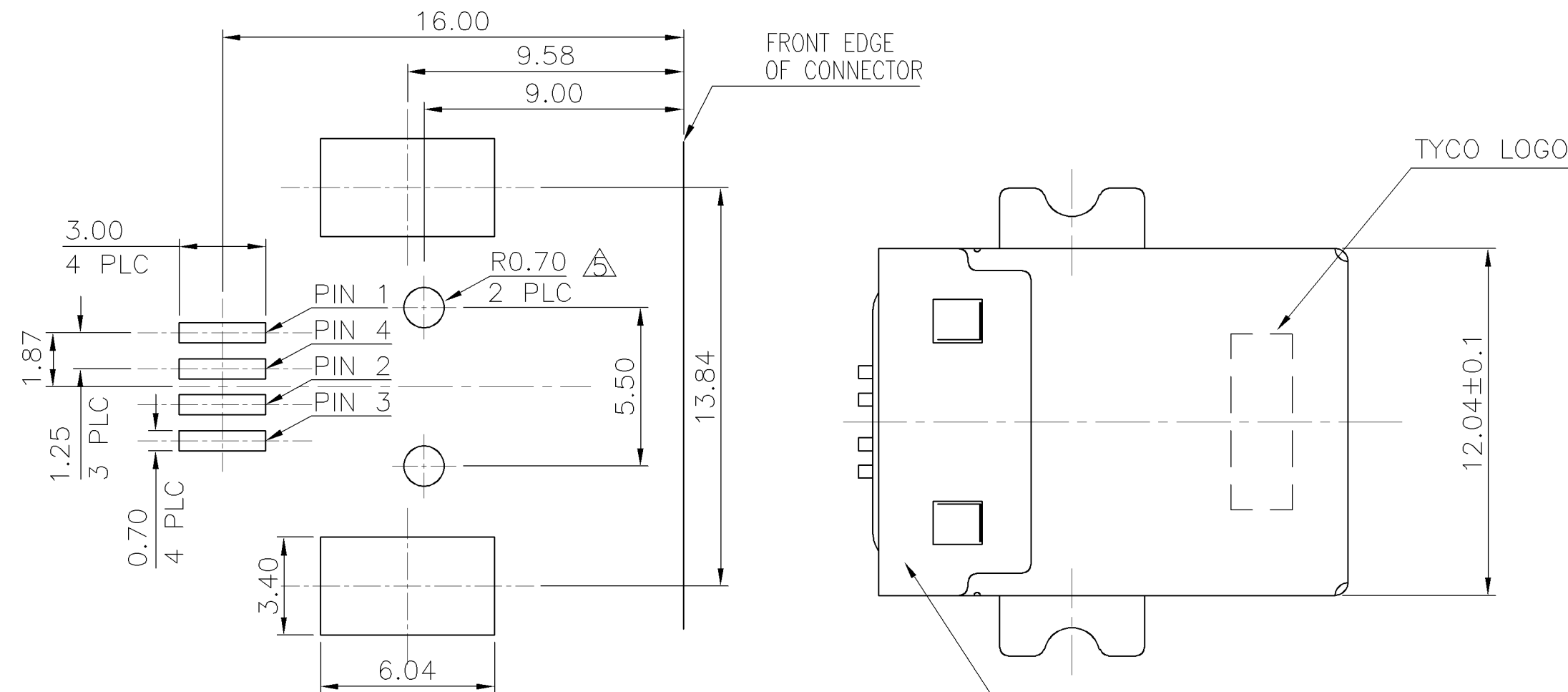
THIS INFORMATION IS CONFIDENTIAL AND IS DISCLOSED TO YOU ON CONDITION THAT NO FURTHER DISCLOSURE IS MADE BY YOU TO OTHER THAN AMP PERSONNEL WITHOUT WRITTEN AUTHORIZATION FROM AMP (TAIWAN) LTD. DIMENSION IN MILLIMETERS. DO NOT SCALE PRINT.

PRINT DIST
DW

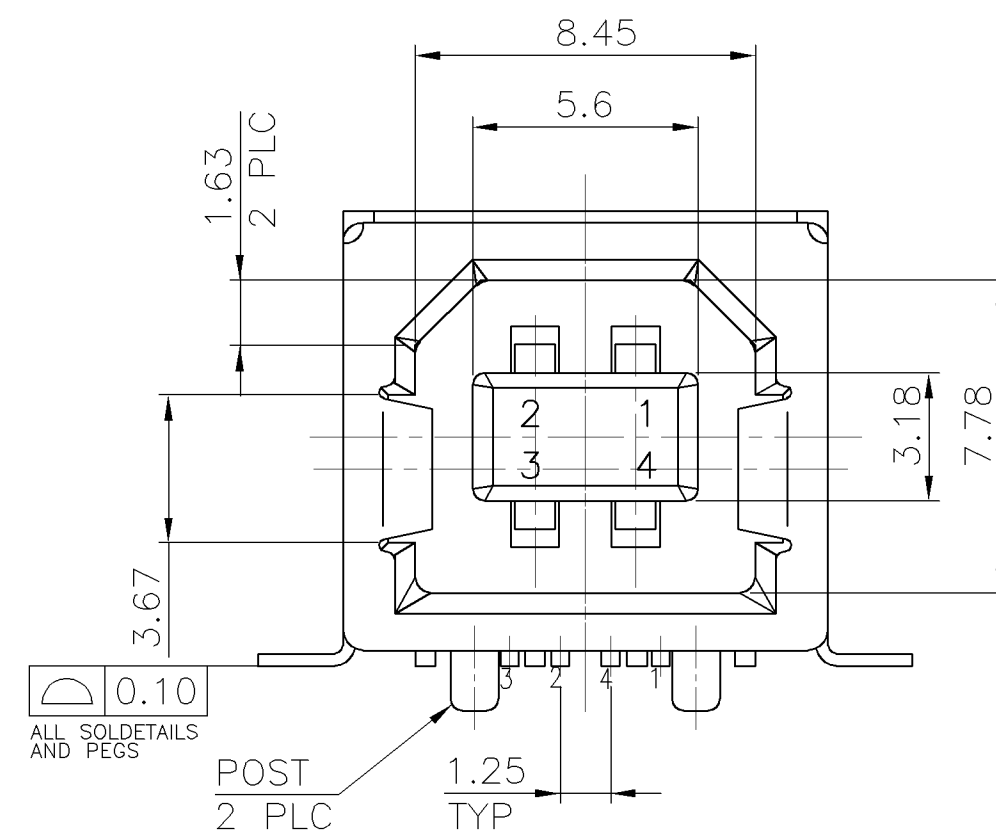
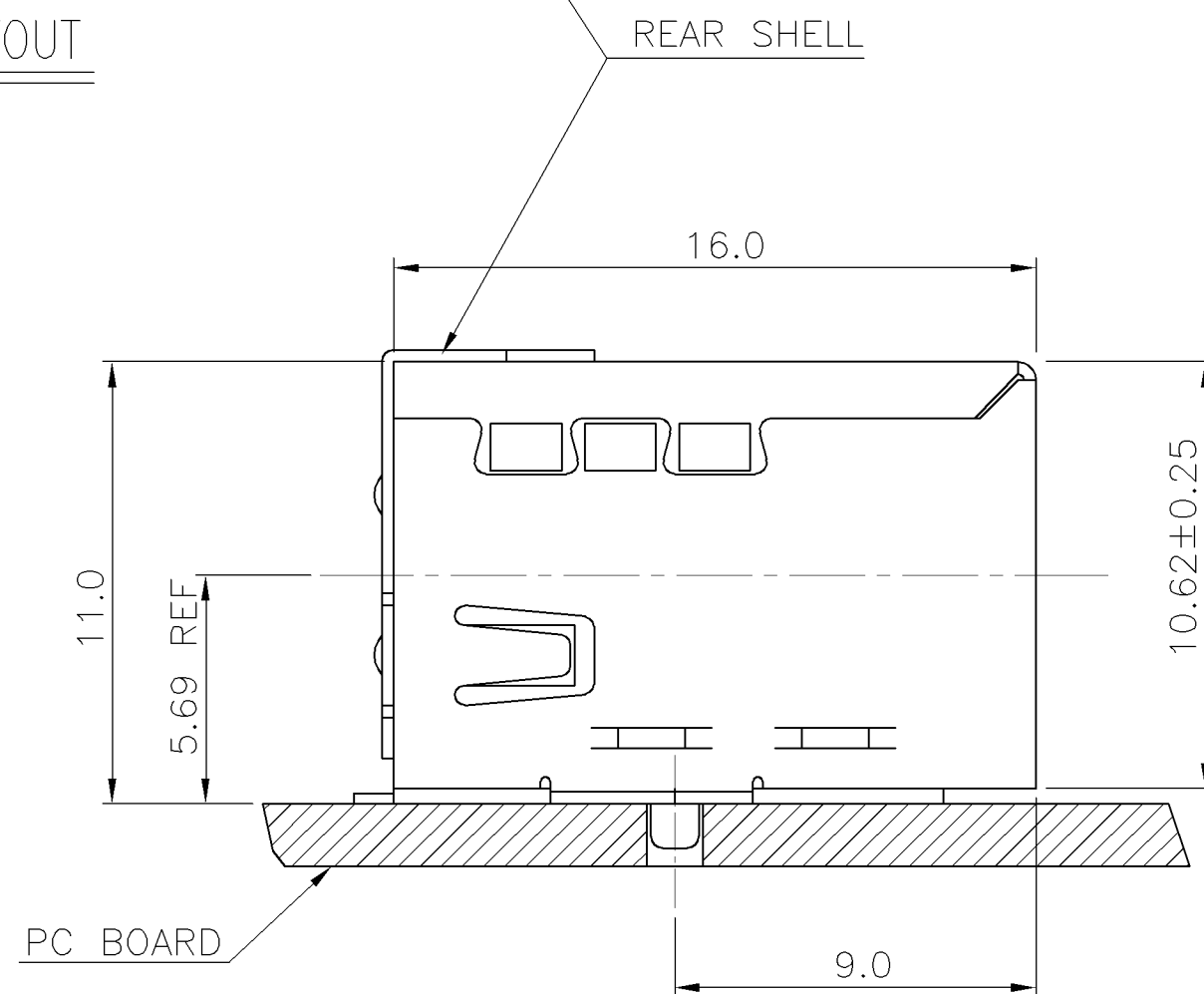
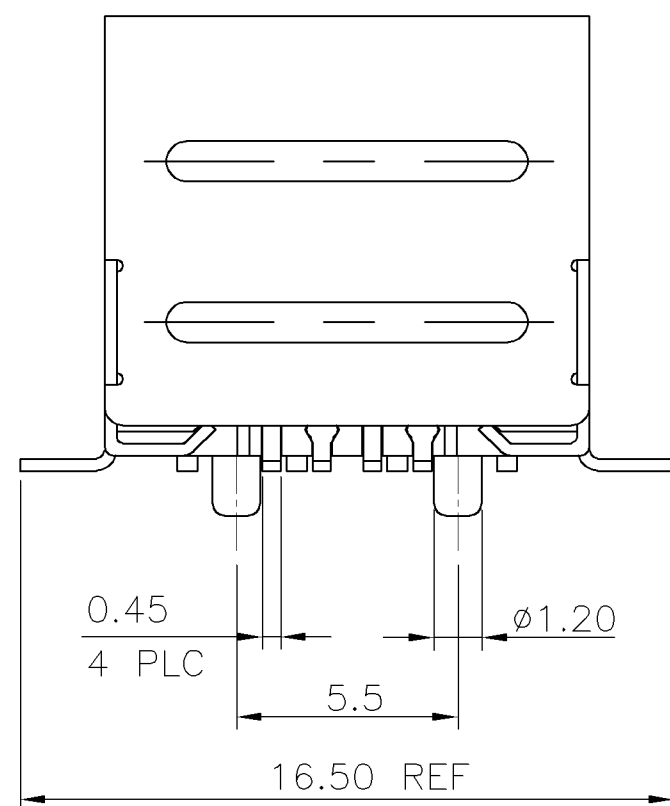
NUMBER
C-1734346

METRIC

3RD ANGLE PROJECTION



RECOMMENDED PCB LAYOUT



NOTE:

- MATERIAL:
HOUSING: NYLON 6T, WITH 30%GF, UL 94V-0, COLOR: BLACK.
CONTACT: PHOSPHOR BRONZE, THICKNESS=0.25mm.
SHELL: PHOSPHOR BRONZE, THICKNESS=0.30mm.
REAR SHELL: STAINLESS, THICKNESS=0.30mm.
 - FINISH:
CONTACT: Δ 30u" MIN. GOLD PLATED IN CONTACT AREA,
 ∇ GOLD FLASH IN CONTACT AREA,
100u" MIN. TIN-Cu PLATED ON SOLDER TAILS,
50u" MIN. NICKEL UNDERPLATED ALL OVER.
SHELL: 30u"~ 90u" NICKEL PLATED OVER ALL.
 - PANEL THICKNESS OF 2.67 mm MAXIMUM IF RECEPTACLE CONNECTOR IS MOUNTED BEHIND A PANEL.
 - REFLOW SOLDER CAPABLE TO 260°C PER TE SPEC 109-201, CONDITION B.
- Δ PLEASE REMOVE POST HOLE ON PCB.
 ∇ NO EMBOSSED ON TOP SURFACE OF SHELL.

REAR SHELL	PACKAGE	POST	FINISH	HSG'S COLOR	PART NUMBER
w/o Δ	REEL	w/o Δ	Δ	WHITE	2-1734346-8
			∇	BLACK	2-1734346-7
			Δ	WHITE	2-1734346-6
			∇	BLACK	2-1734346-5
w/o Δ	REEL	w/ Δ	Δ	WHITE	2-1734346-4
			∇	BLACK	2-1734346-3
			Δ	WHITE	2-1734346-2
			∇	BLACK	2-1734346-1
w/ Δ	REEL	w/o Δ	Δ	WHITE	1-1734346-8
			∇	BLACK	1-1734346-7
			Δ	WHITE	1-1734346-6
			∇	BLACK	1-1734346-5
w/ Δ	REEL	w/ Δ	Δ	WHITE	1-1734346-4
			∇	BLACK	1-1734346-3
			Δ	WHITE	1-1734346-2
			∇	BLACK	1-1734346-1
w/ Δ	TRAY	w/o Δ	Δ	WHITE	1734346-8
			∇	BLACK	1734346-7
			Δ	WHITE	1734346-6
			∇	BLACK	1734346-5
w/ Δ	TRAY	w/ Δ	Δ	WHITE	1734346-4
			∇	BLACK	1734346-3
			Δ	WHITE	1734346-2
			∇	BLACK	1734346-1

TOLERANCES UNLESS OTHERWISE SPECIFIED: 0 PLC ± 0.50 1 PLC ± 0.25 2 PLC ± 0.15 3 PLC ± 0.05 ANGLES $\pm 3'$	DWN O. HU 10-AUG-2007
MATERIAL SEE NOTE	CHK S. HOU 10-AUG-2007
FINISH SEE NOTE	APVD W.J. KE 10-AUG-2007
	PRODUCT SPEC 108-57538
	QUALIFICATION TEST REPORT 501-57618
	WEIGHT --

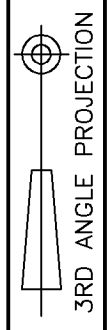
Tyco Electronics Corporation Taipei, Taiwan			
NAME USB CONNECTOR, SERIES B, 4 POSITIONS, R/A, SMT TYPE, WITH REAR SHELL			
LOC DW	SIZE A ₃	DRAWING NO C-1734346	REV B1
SCALE --		SHEET 1 OF 3	

LTR	REVISION RECORD	ECN	DWN CHK	SH SH	DATE
B1	ADD PULL OUT DIRECTION ON REEL	ECR-07-018988	OH	SH	10AUG 2007
B	CHANGE PLATING SPEC	ECR-05-014060	OH	SH	28OCT 2005

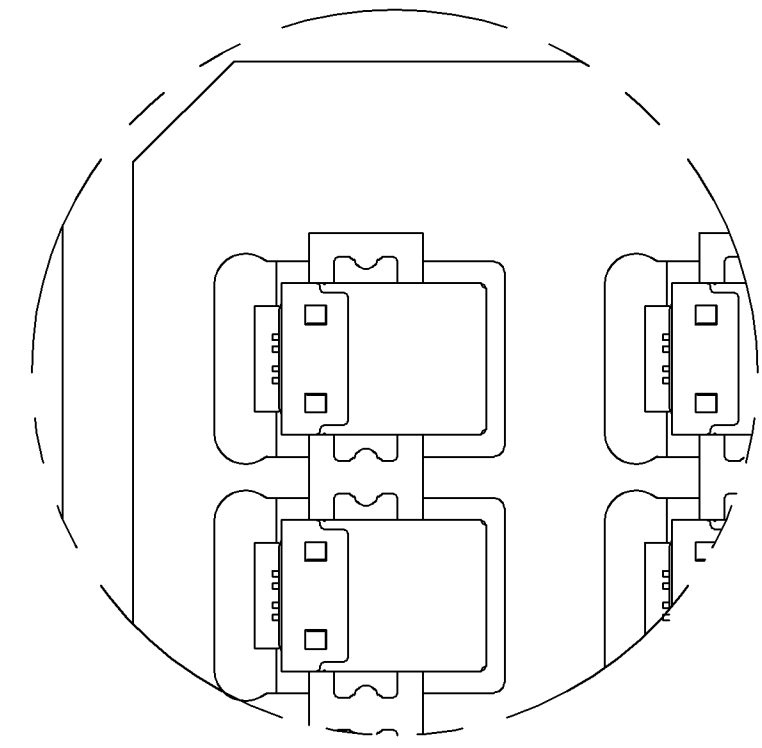
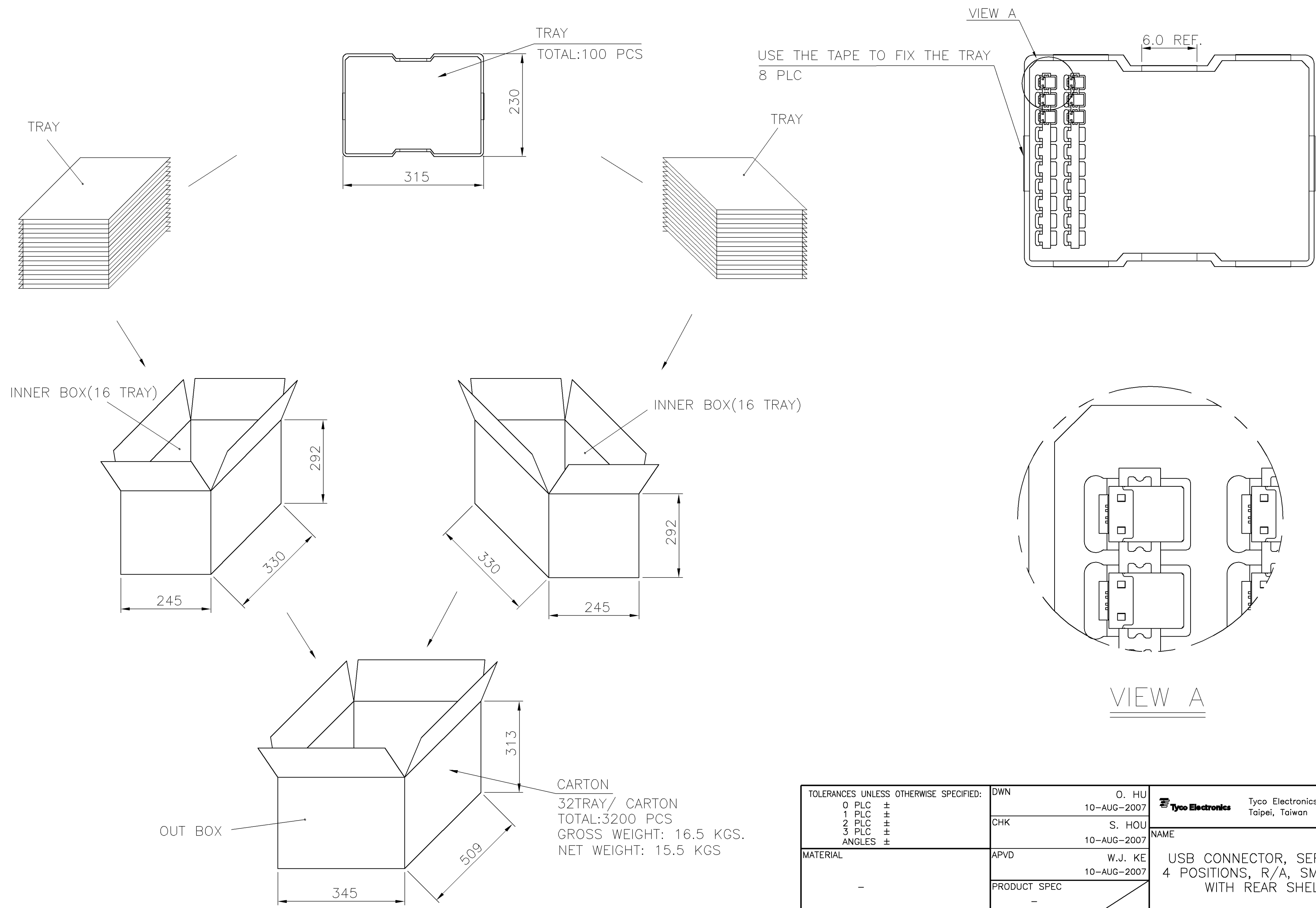
THIS INFORMATION IS CONFIDENTIAL AND IS DISCLOSED TO YOU ON CONDITION THAT NO FURTHER DISCLOSURE IS MADE BY YOU TO OTHER THAN AMP PERSONNEL WITHOUT WRITTEN AUTHORIZATION FROM AMP (TAIWAN) LTD. DIMENSION IN MILLIMETERS. DO NOT SCALE PRINT.

PRINT DIST
DW

METRIC



NUMBER
C-1734346



TOLERANCES UNLESS OTHERWISE SPECIFIED: 0 PLC ± 1 PLC ± 2 PLC ± 3 PLC ± ANGLES ±	DWN	O. HU	Tyco Electronics Corporation Taipei, Taiwan	
	CHK	S. HOU	NAME	
MATERIAL -	APVD	W.J. KE	USB CONNECTOR, SERIES B, 4 POSITIONS, R/A, SMT TYPE, WITH REAR SHELL	
	PRODUCT SPEC	10-AUG-2007	-	
FINISH -	APPLICATION SPEC	-	LOC	REV
	WEIGHT	-	SIZE A₃	DRAWING NO C-1734346
			SCALE	SHEET
			--	2 OF 3

SEE SHEET 1.	ECN	DWN	CHK	DATE
LTR	REVISION RECORD			

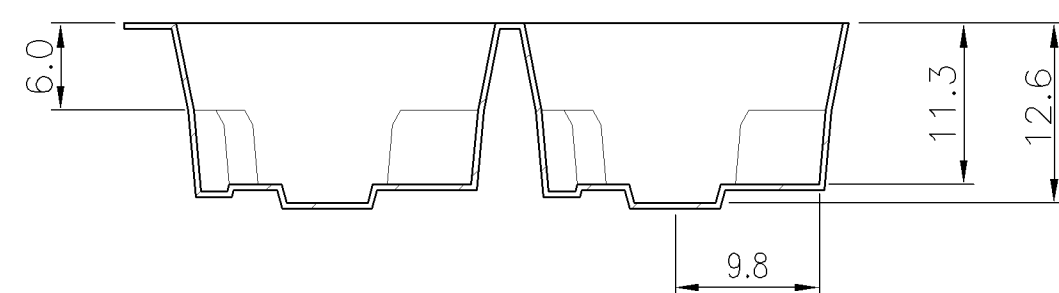
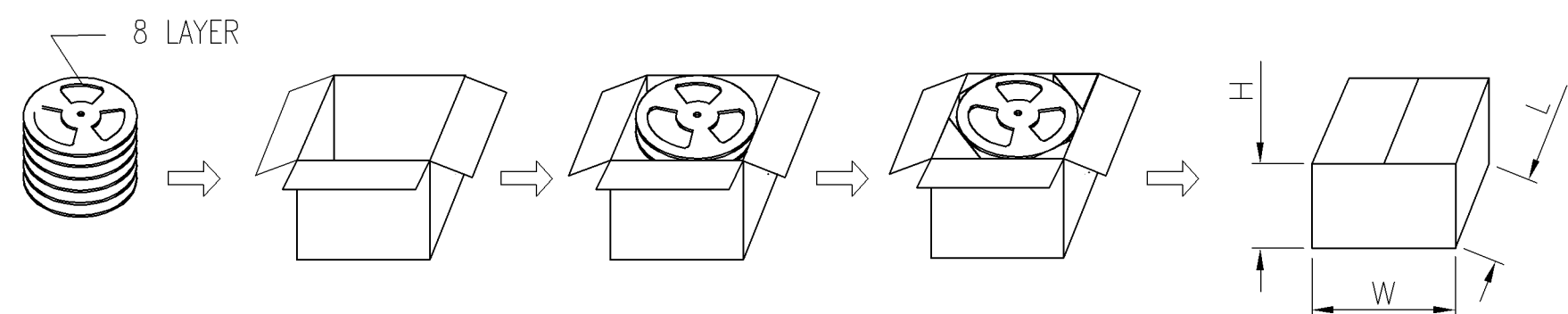
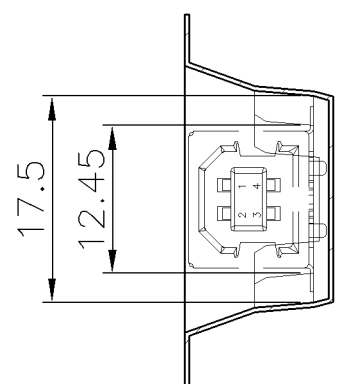
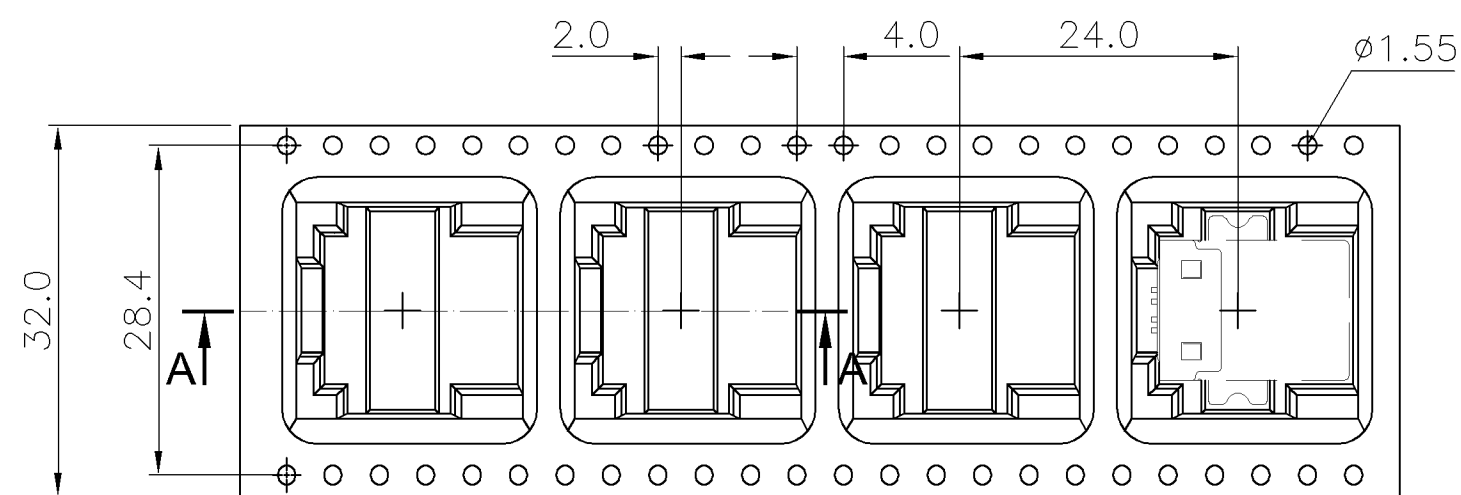
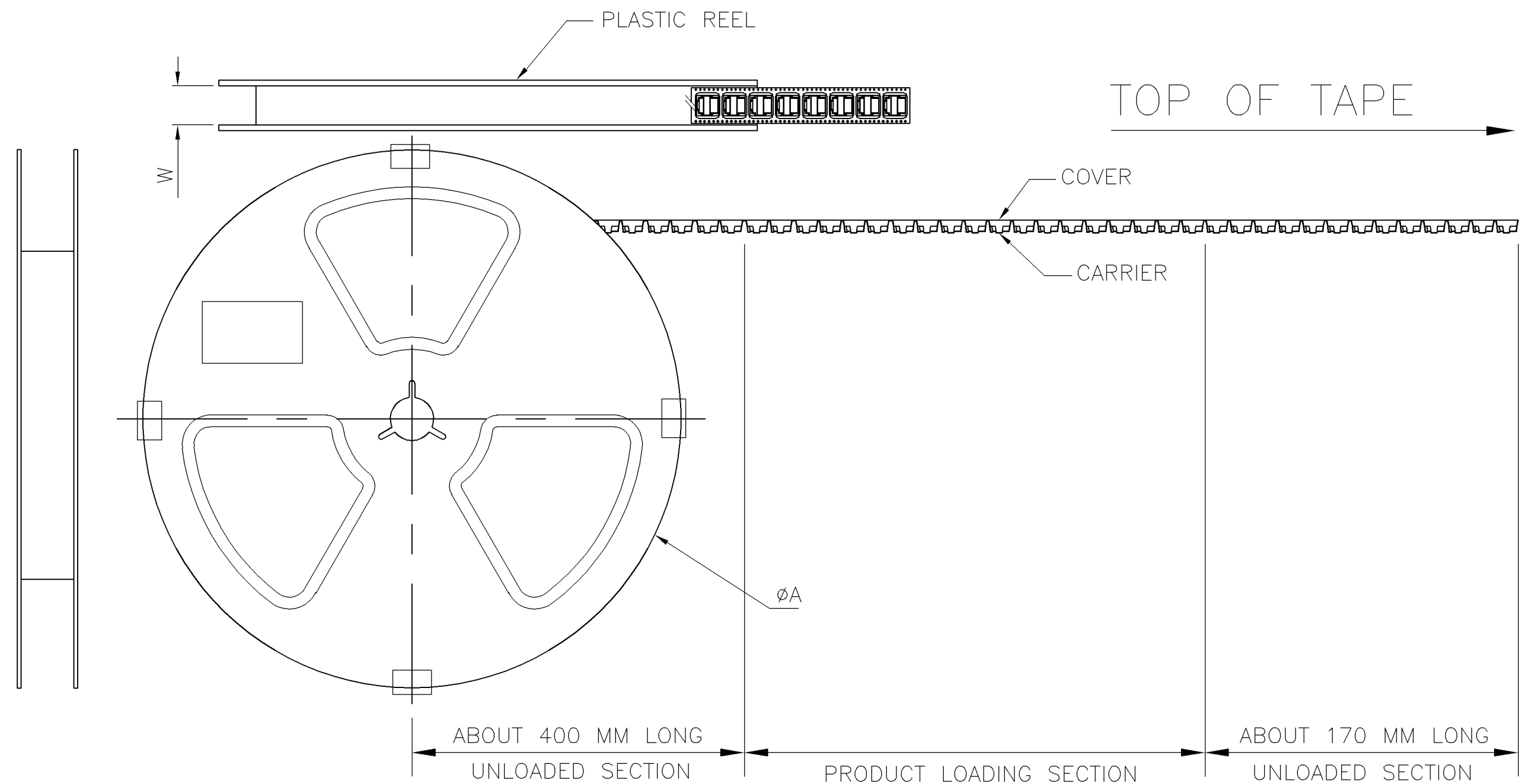
NUMBER
C-1734346

3RD ANGLE PROJECTION

METRIC

THIS INFORMATION IS CONFIDENTIAL AND IS DISCLOSED TO YOU ON CONDITION THAT NO FURTHER DISCLOSURE IS MADE BY YOU TO OTHER THAN AMP PERSONNEL WITHOUT WRITTEN AUTHORIZATION FROM AMP (TAIWAN) LTD. DIMENSION IN MILLIMETERS. DO NOT SCALE PRINT.

PRINT
DW



SECTION A-A

348(L)X348(W)X340(H)	200	8	1600	10.5	9.5
BOX SIZE	PCS/TAPE	REELS/BOX	QUANTITY (PCS)	G/W (Kg)	N/W (Kg)

TOLERANCES UNLESS OTHERWISE SPECIFIED: 0 PLC ± 1 PLC ± 2 PLC ± 3 PLC ± ANGLES ±	DWN	O. HU	Tyco Electronics Corporation Taipei, Taiwan			
	CHK	S. HOU				
MATERIAL	APVD	W.J. KE	USB CONNECTOR, SERIES B, 4 POSITIONS, R/A, SMT TYPE, WITH REAR SHELL			
FINISH	PRODUCT SPEC	10-AUG-2007				
	APPLICATION SPEC		LOC	SIZE	DRAWING NO	REV
	WEIGHT		DW	A ₃	C-1734346	B1
			SCALE	--	SHEET	3 OF 3

	SEE SHEET 1.			
LTR	REVISION RECORD	ECN	DWN CHK	DATE